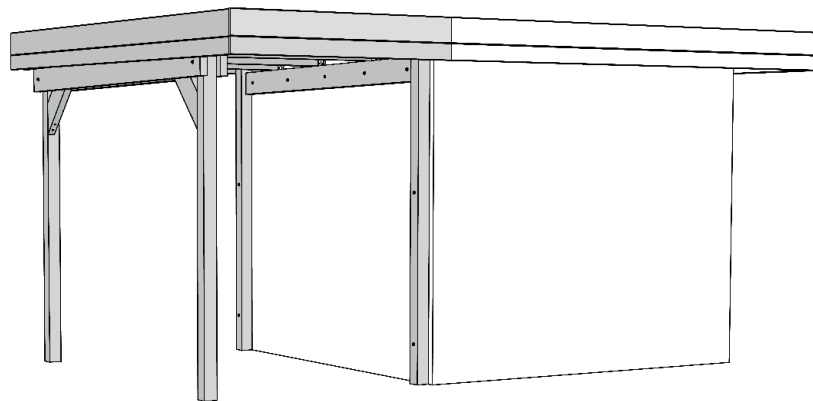




www.weka-holzbau.com



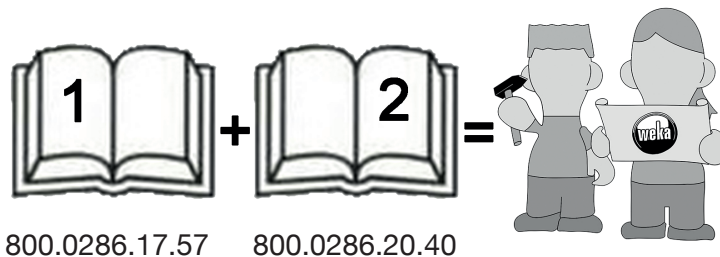
## Seitlicher Dachanbau



100.2821.70010  
100.2824.70010  
100.2830.70010

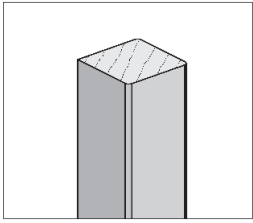
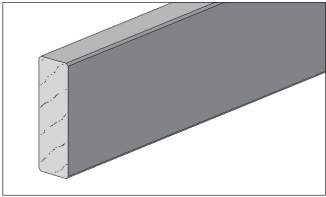
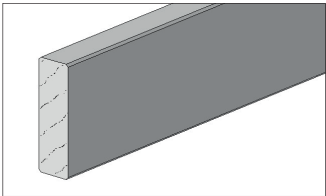
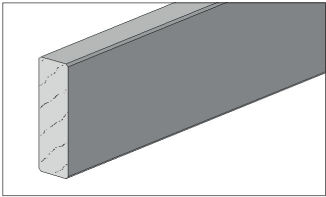
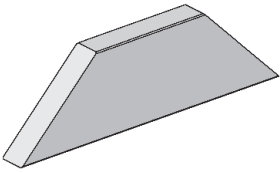
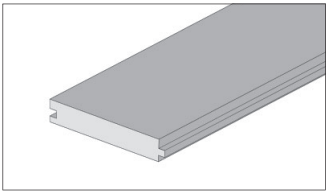
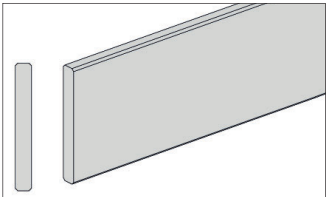
100.2821.71010  
100.2824.71010  
100.2830.71010

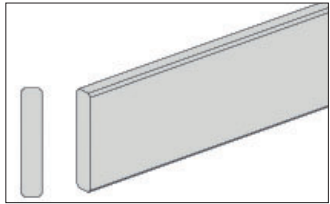
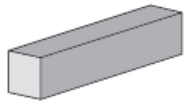
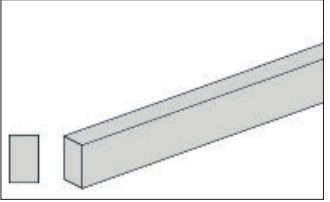
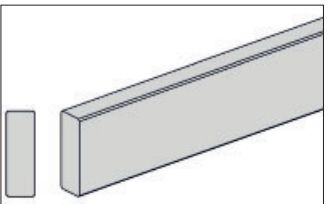
## Montage-, Bedienungs- und Wartungsanleitung

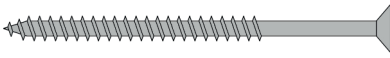







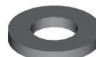
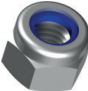

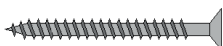
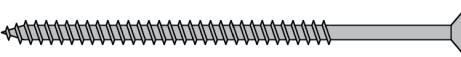


800.0286.17.57

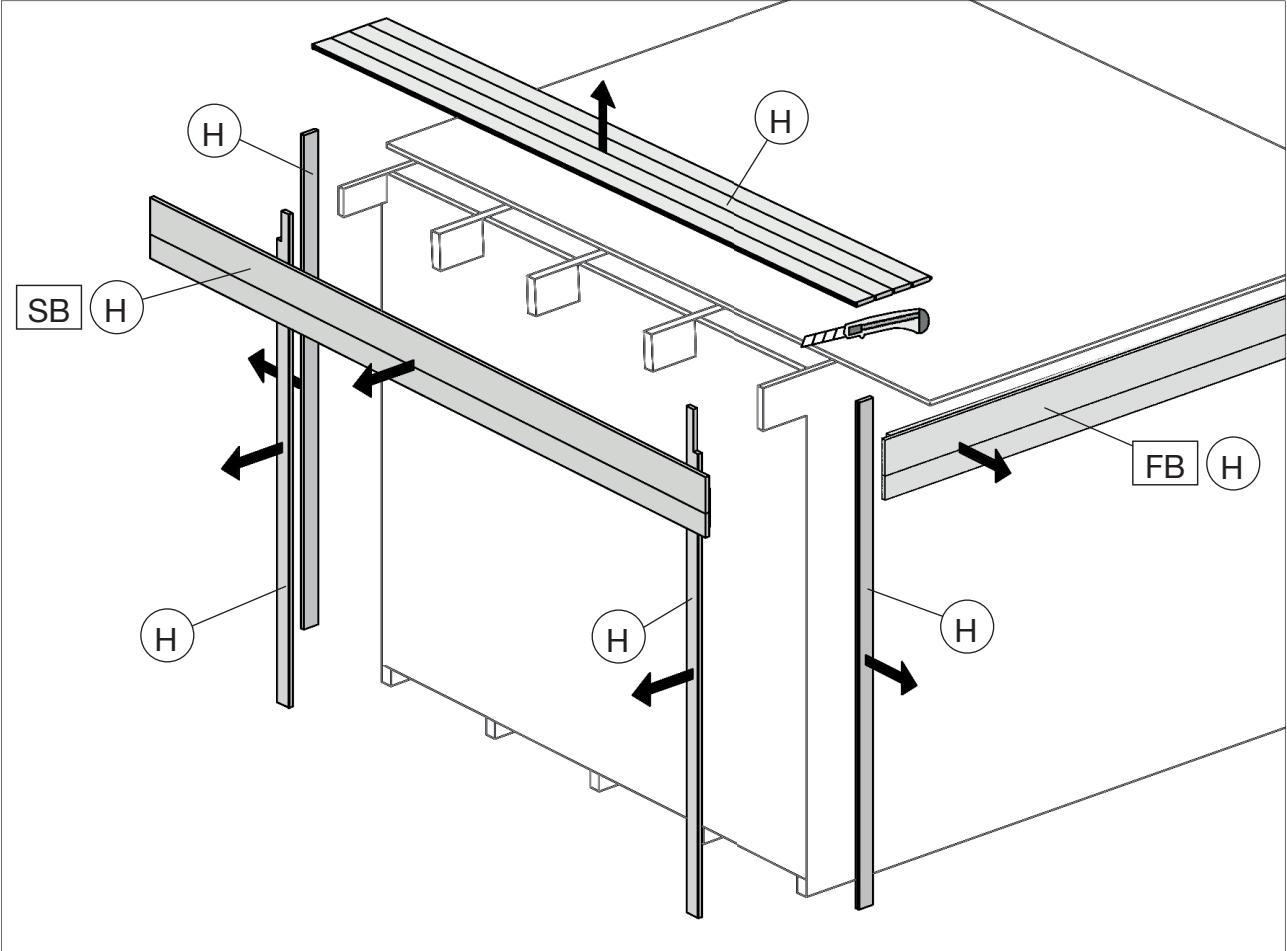
800.0286.20.40

| Pos | Bild  | Abmessung<br>( mm ) | Anzahl ( Stück ) |          |          |
|-----|---|---------------------|------------------|----------|----------|
|     |   |                     | 100.2821         | 100.2824 | 100.2830 |
| ①   |    | 80/80/2200          | 4                | 4        | 4        |
| ②   |    | 45/146/2050         | 1                | -        | -        |
|     |   | 45/146/2300         | -                | 1        | -        |
|     |   | 45/146/2950         | -                | -        | 1        |
| ③   |   | 45/146/2106         | 2                | -        | -        |
|     |   | 45/146/2406         | -                | 2        | -        |
|     |   | 45/146/3006         | -                | -        | 2        |
| ④   |  | 45/146/1598         | 5                | 5        | 5        |
| ⑤   |  | 45/146/500          | 2                | 2        | 2        |
| ⑥   |  | 15,5/96/2770        | 18               | -        | -        |
|     |   | 15,5/96/3080        | -                | 18       | -        |
|     |   | 15,5/96/3710        | -                | -        | 18       |
| ⑦   |  | 18,5/146/1610       | 1                | 1        | 1        |

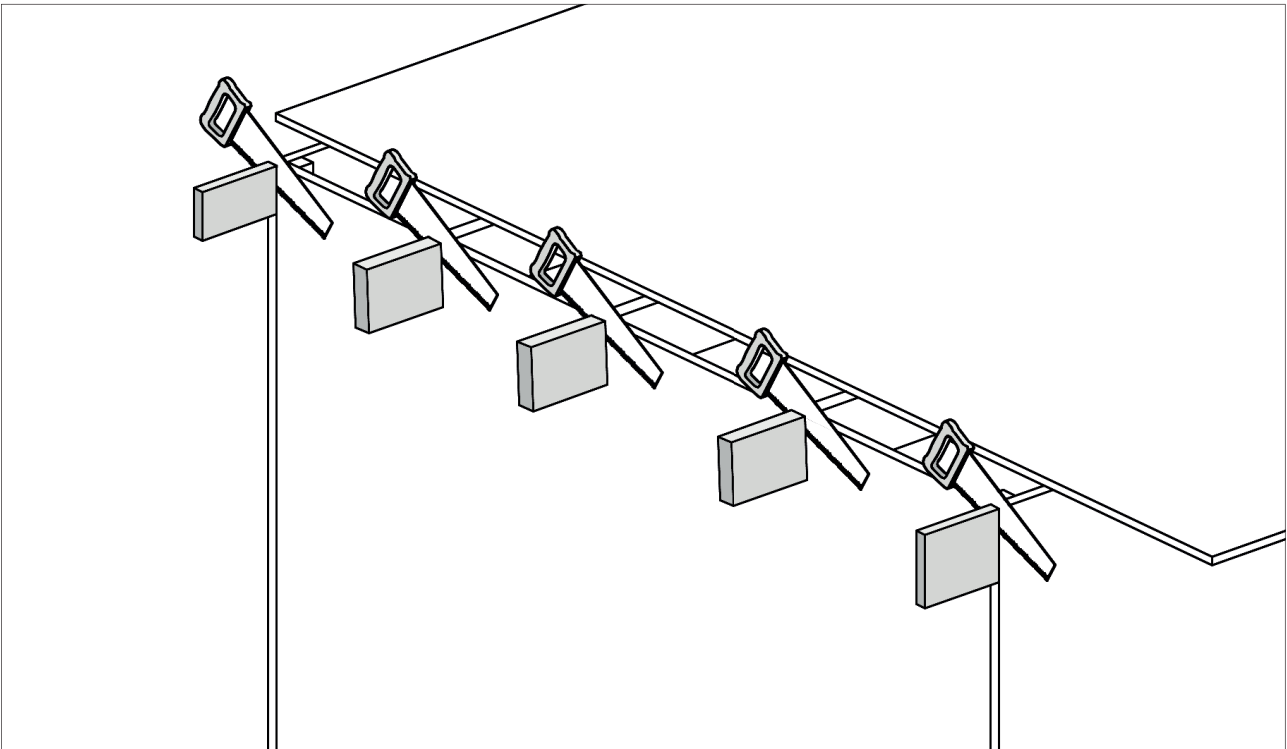
| Pos | Bild  | Abmessung<br>( mm ) | Anzahl ( Stück ) |          |          |
|-----|---|---------------------|------------------|----------|----------|
|     |   |                     | 100.2821         | 100.2824 | 100.2830 |
| 8   |    | 18,5/96/1610        | 1                | 1        | 1        |
| 9   |    | 28/28/150           | 4                | 4        | 4        |
| 10  |   | 15/25/2000          | 1                | 1        | 1        |
| 11  |  | 15/45/2300          | 2                | 2        | 2        |

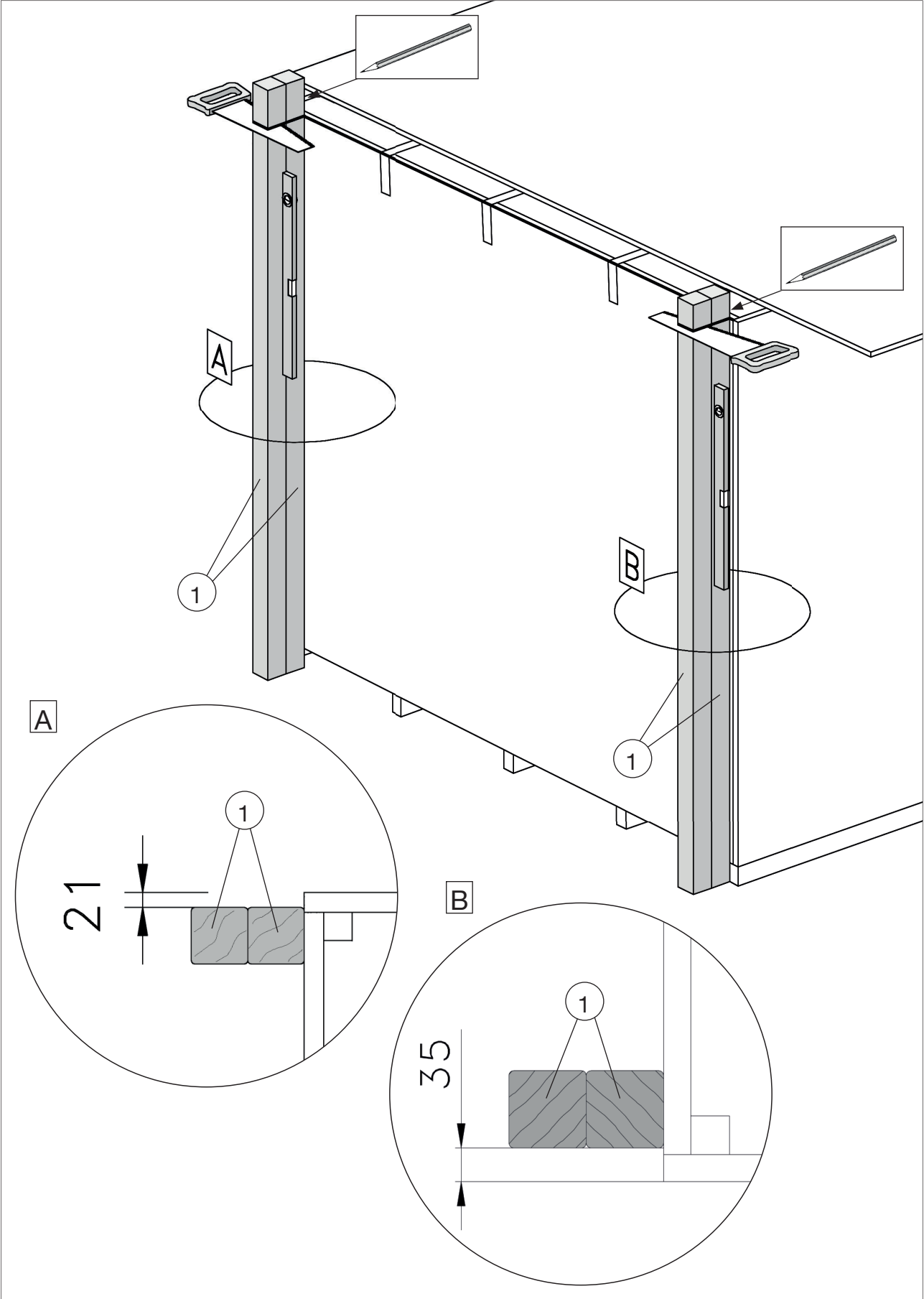
| Pos | Bild  | Abmessung<br>( mm ) | Anzahl<br>( Stück ) |
|-----|---|---------------------|---------------------|
| M1  | K001.8050.0004<br>   | 5,0 x 80            | 8                   |
| M2  | K001.3035.0004<br>   | 3,5 x 30            | 30                  |
| M3  | K002.2050.0004<br>   | 5,0 x 20            | 100                 |
| M4  | K031.5050.0001<br>   | 50/50/40            | 12                  |
| M5  | K008.9008.0001<br>   | M8 x 90             | 5                   |
| M6  | K008.1208.0001<br>  | M8 x 120            | 6                   |
| M7  | K008.1408.0001<br> | M8 x 140            | 4                   |
| M8  | K008.1808.0001<br> | M8 x 180            | 4                   |
| M9  | K020.8400.0001<br> | 8,4                 | 38                  |
| M10 | K024.0800.0001<br> | M8                  | 19                  |
| M11 | K010.5022.0001<br> | 2,2 x 55            | 350                 |
| -   | -   | -                   | -                   |
| M13 | K001.4040.0004<br> | 4,0 x 40            | 47                  |
| M14 | K001.1250.0004<br> | 5,0 x 120           | 4                   |

1



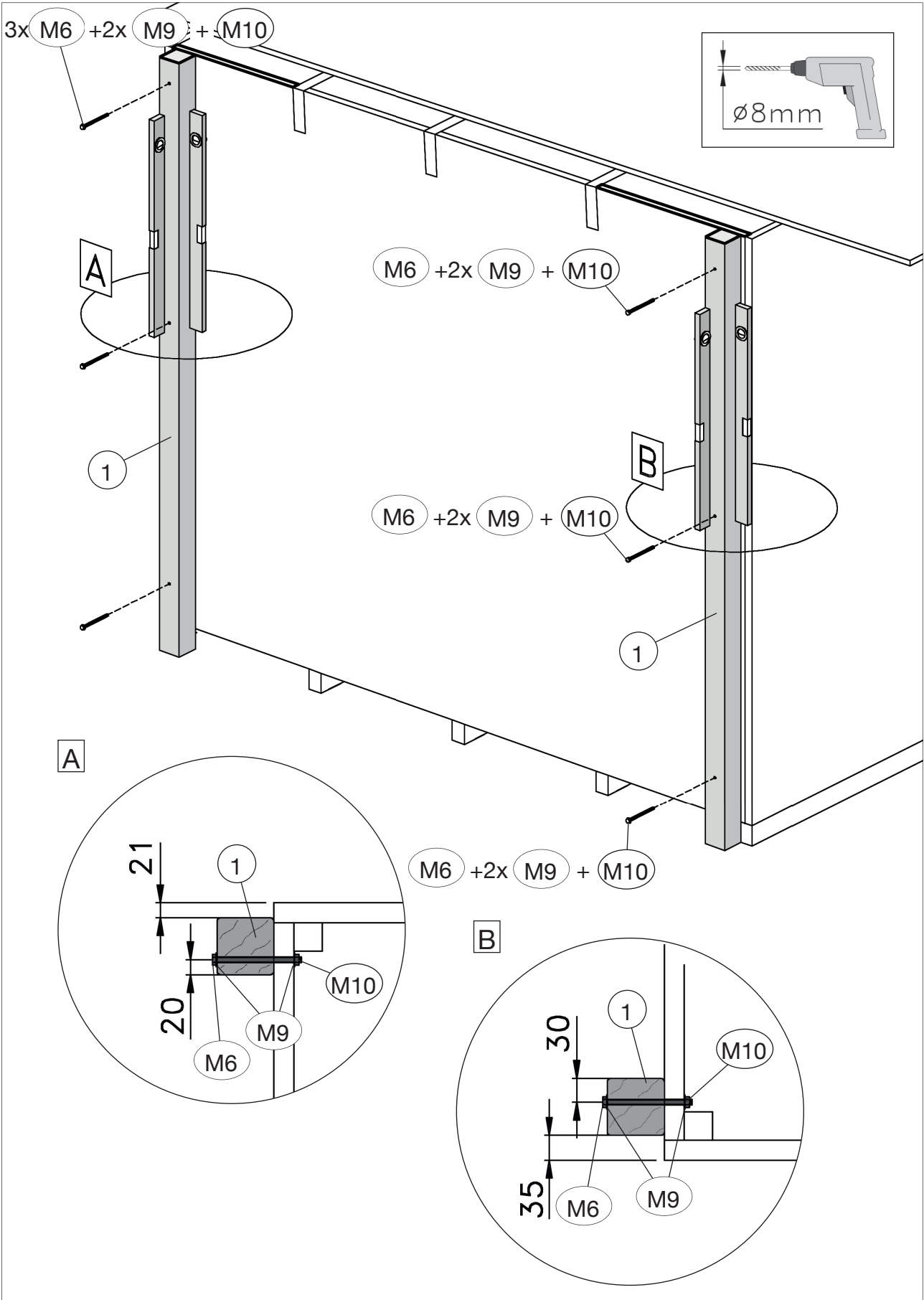
2





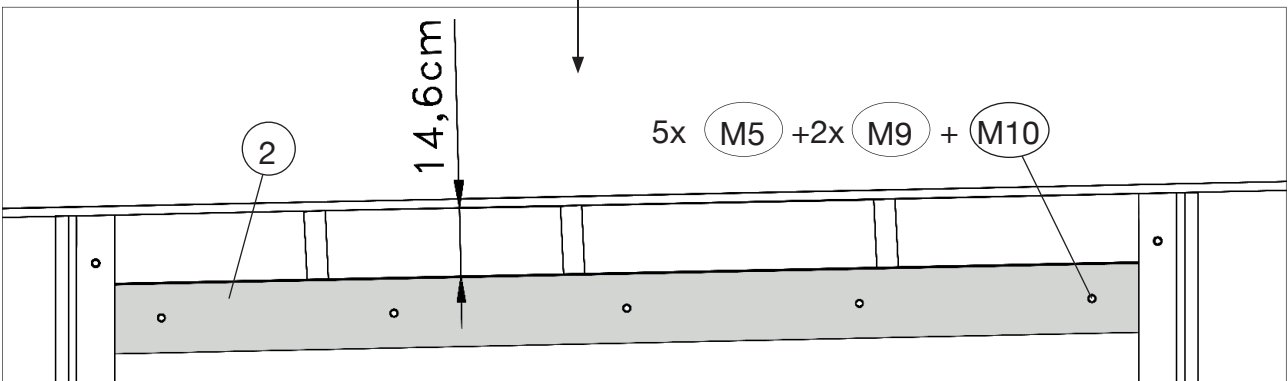
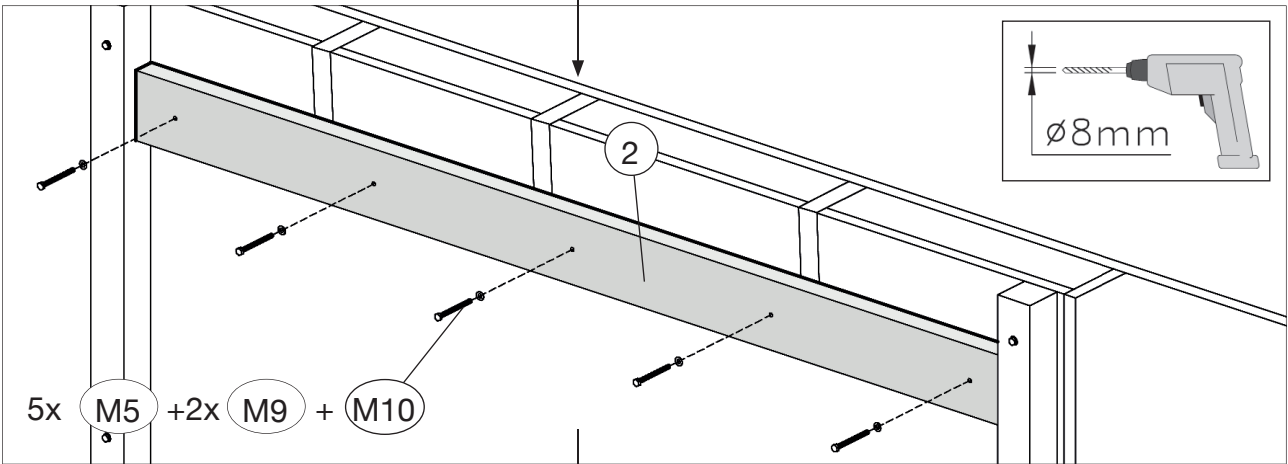
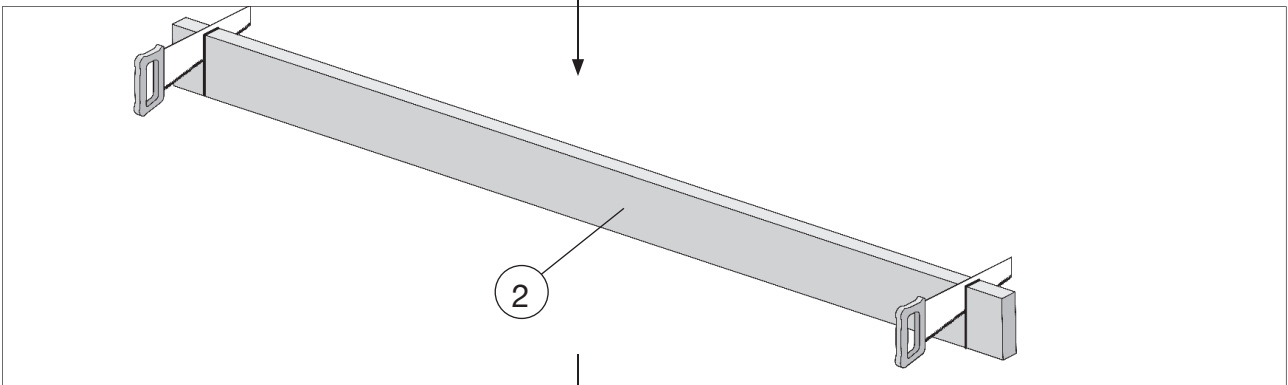
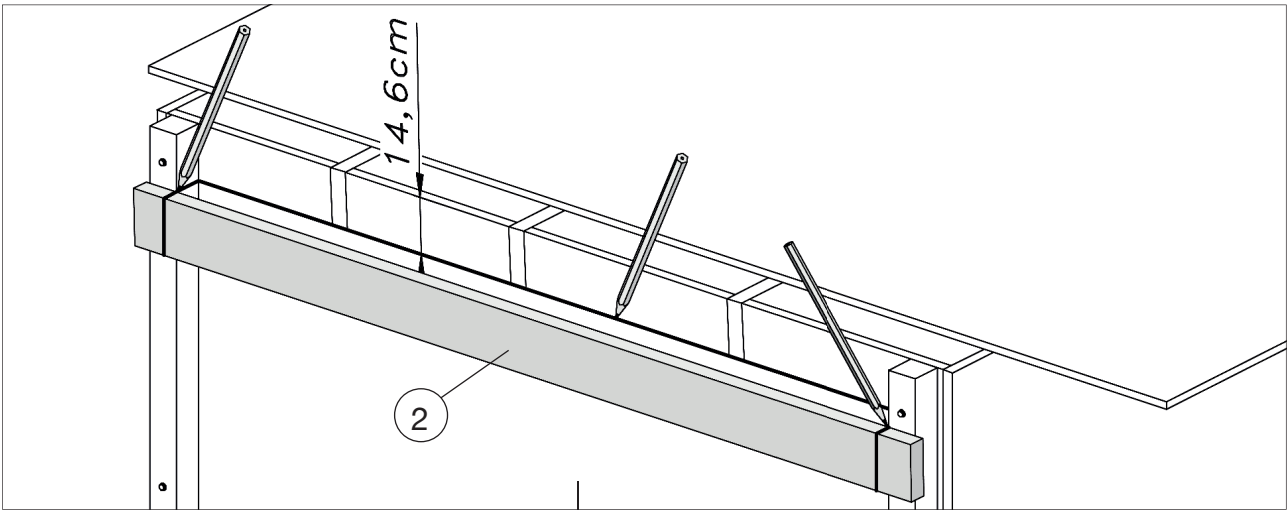
4

|   |    |          |   |     |     |
|---|----|----------|---|-----|-----|
|  | M6 | M8 x 120 |  | M9  | 8,4 |
|   |    |          |  | M10 | M8  |



5

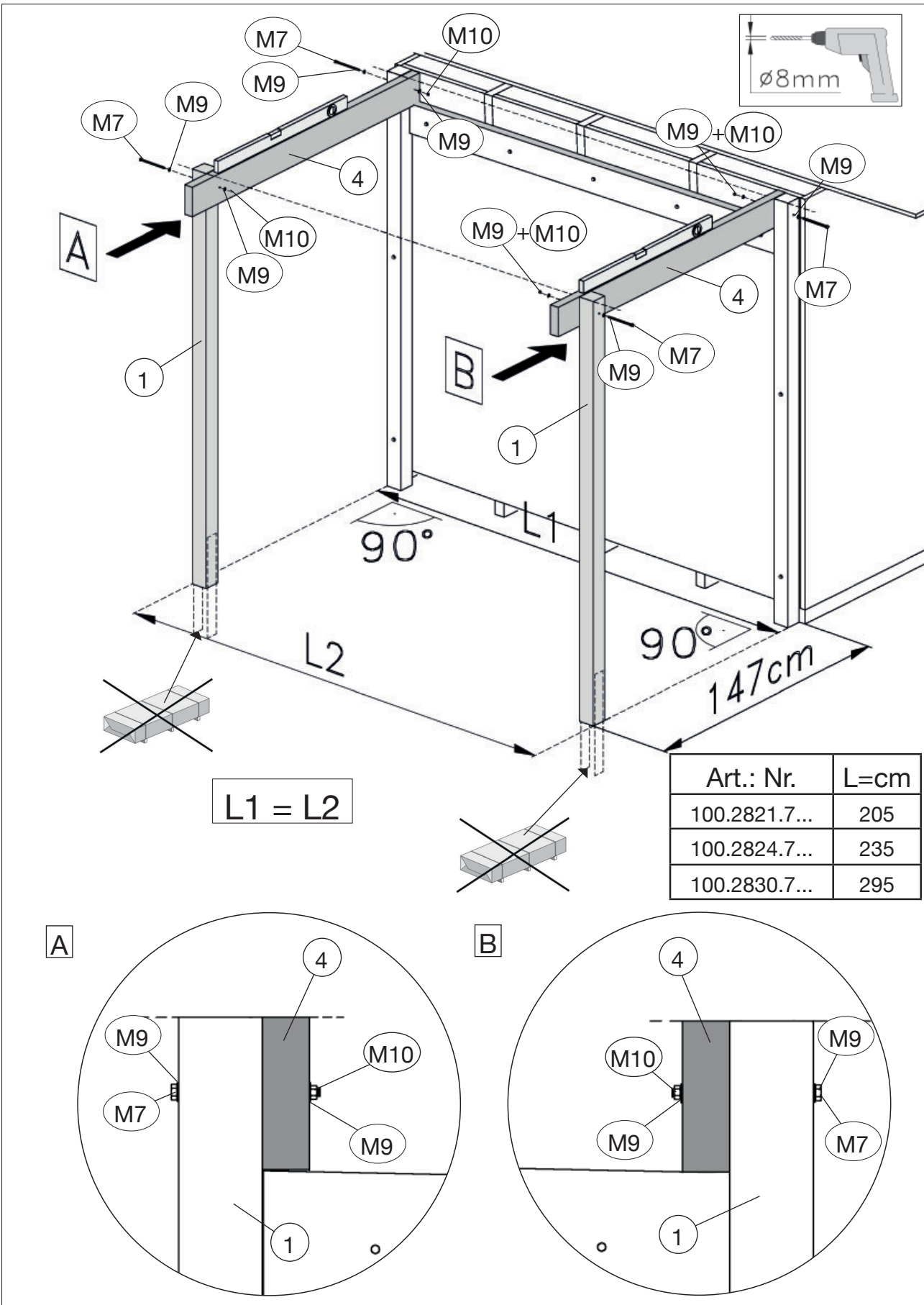
|   |    |         |   |     |     |
|---|----|---------|---|-----|-----|
|  | M5 | M8 x 90 |  | M9  | 8,4 |
|   |    |         |  | M10 | M8  |







6



|   |             |   |        |
|---|-------------|---|--------|
|  | M7 M8 x 140 |  | M9 8,4 |
|   |             |  | M10 M8 |

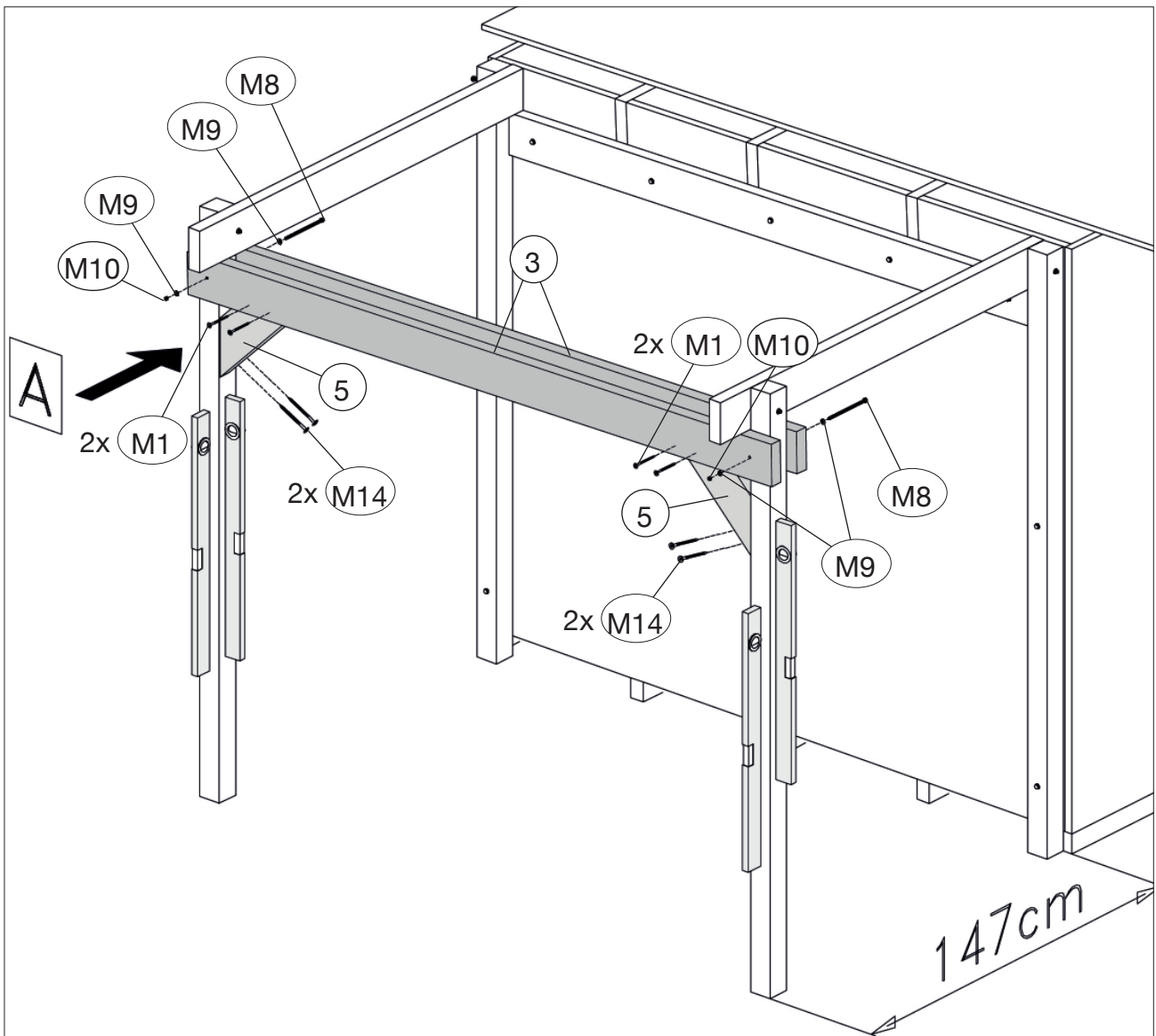


7

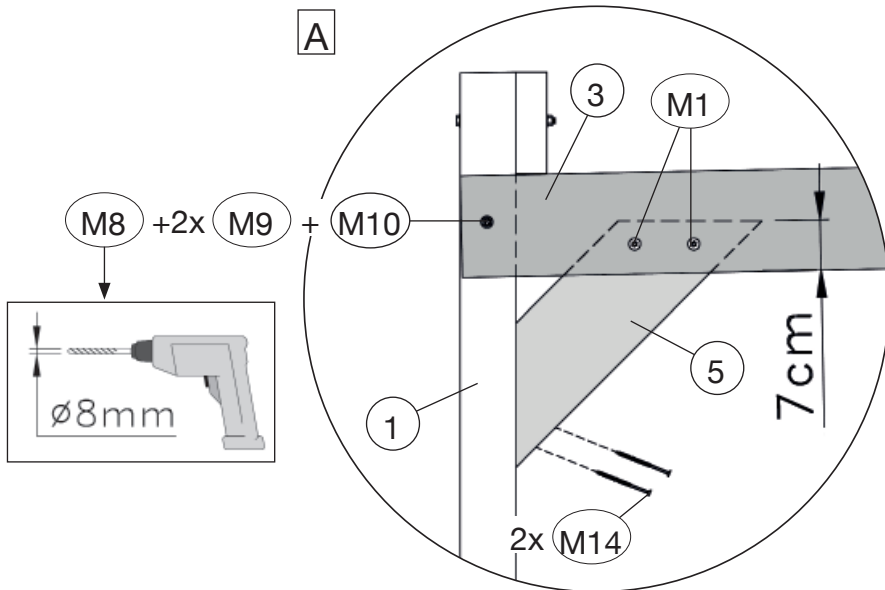
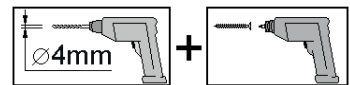
|   |     |           |
|---|-----|-----------|
|  | M1  | 5,0 x 80  |
|   | M14 | 5,0 x 120 |

|   |    |          |
|---|----|----------|
|  | M8 | M8 x 180 |
|   |    |          |

|   |     |     |
|---|-----|-----|
|  | M9  | 8,4 |
|  | M10 | M8  |

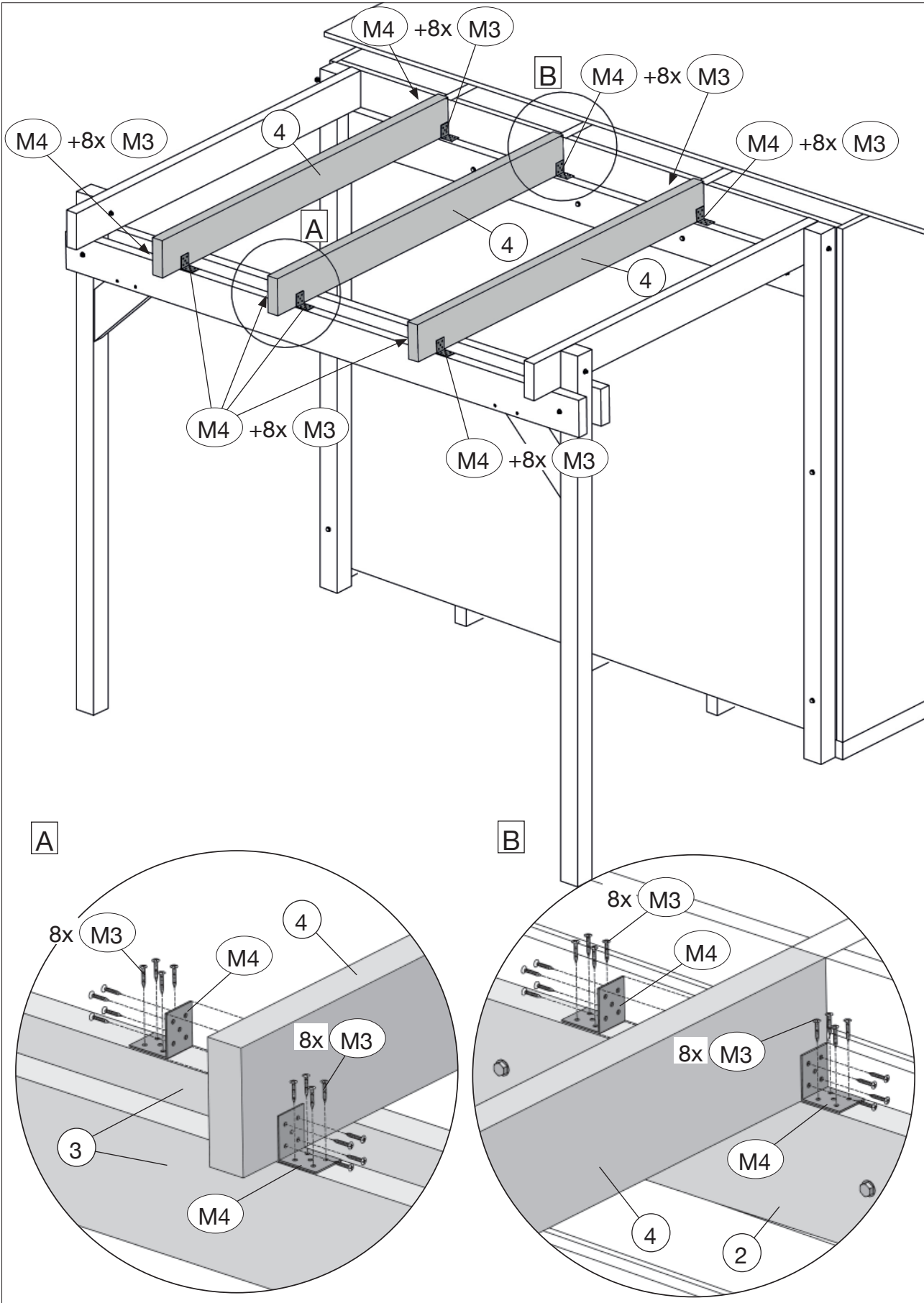


A



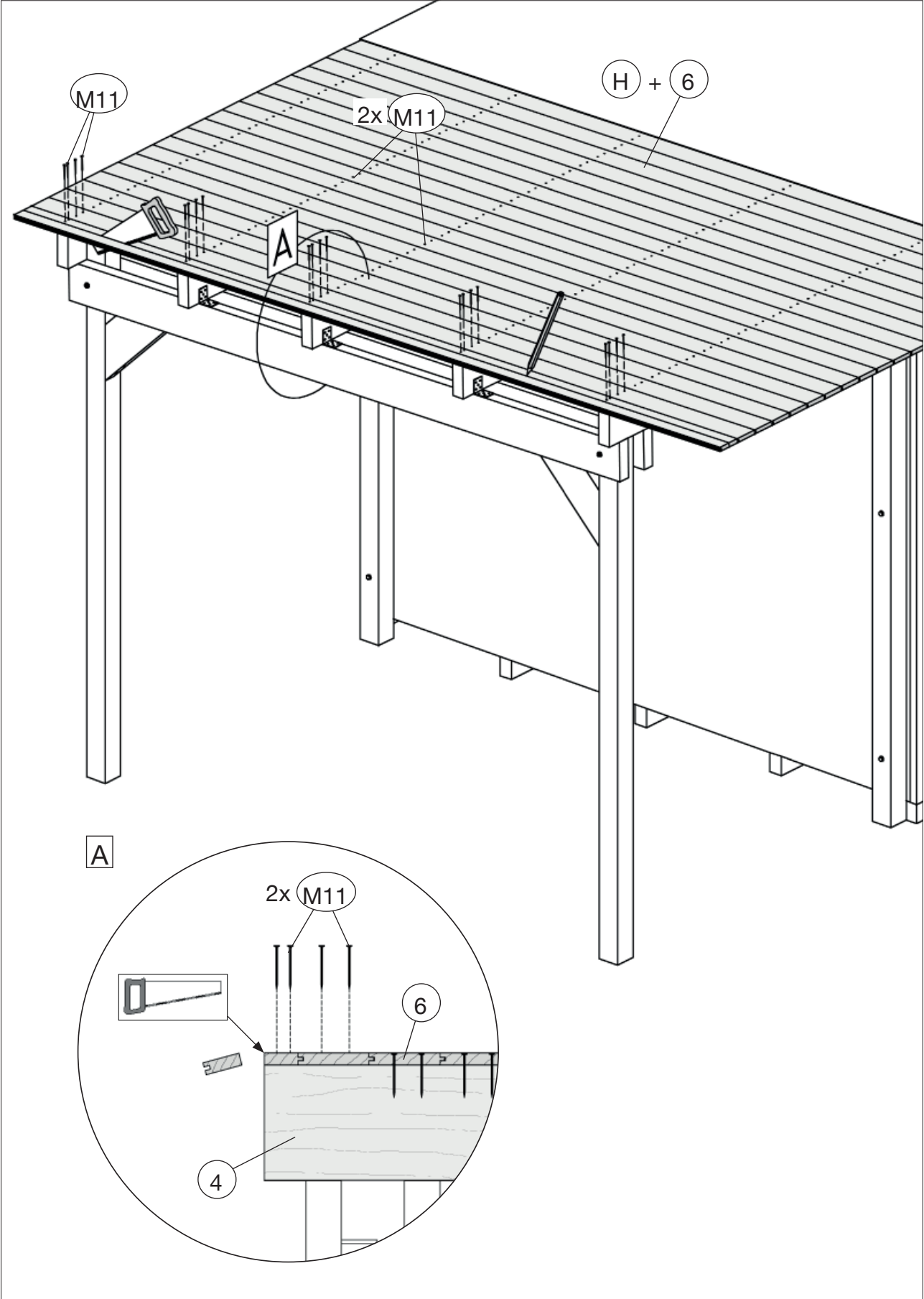
8

|   |    |          |
|---|----|----------|
|  | M3 | 5,0 x 20 |
|  | M4 | 50/50/40 |




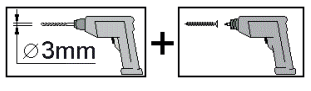
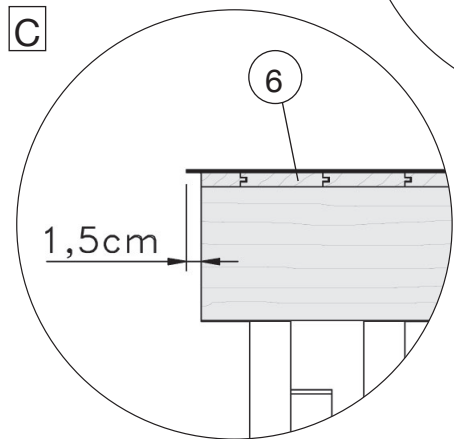
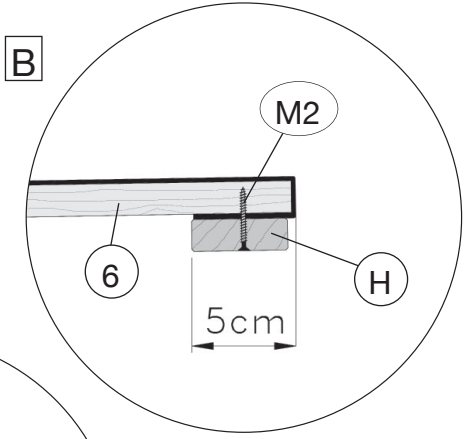
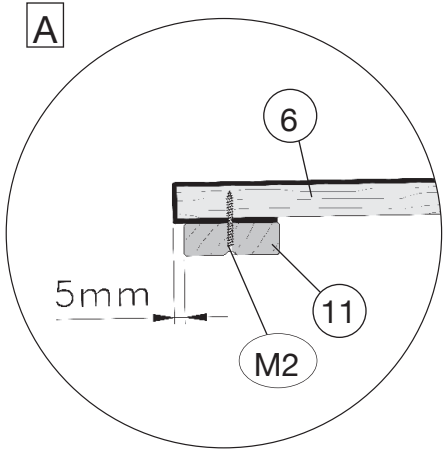
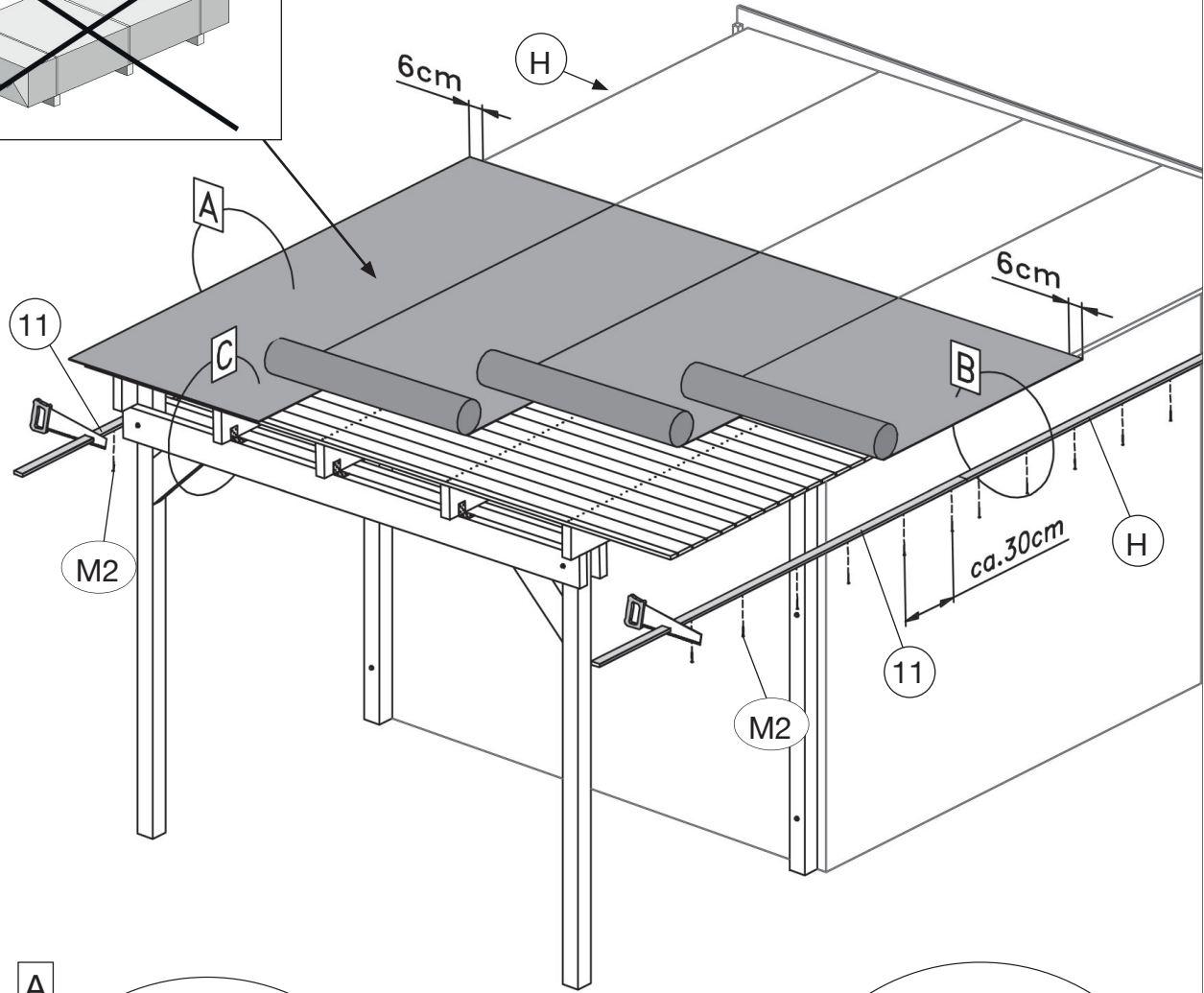
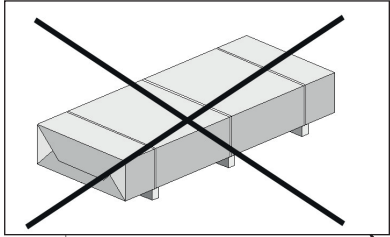
9

|   |              |
|---|--------------|
|  | M11 2,2 x 55 |
|---|--------------|

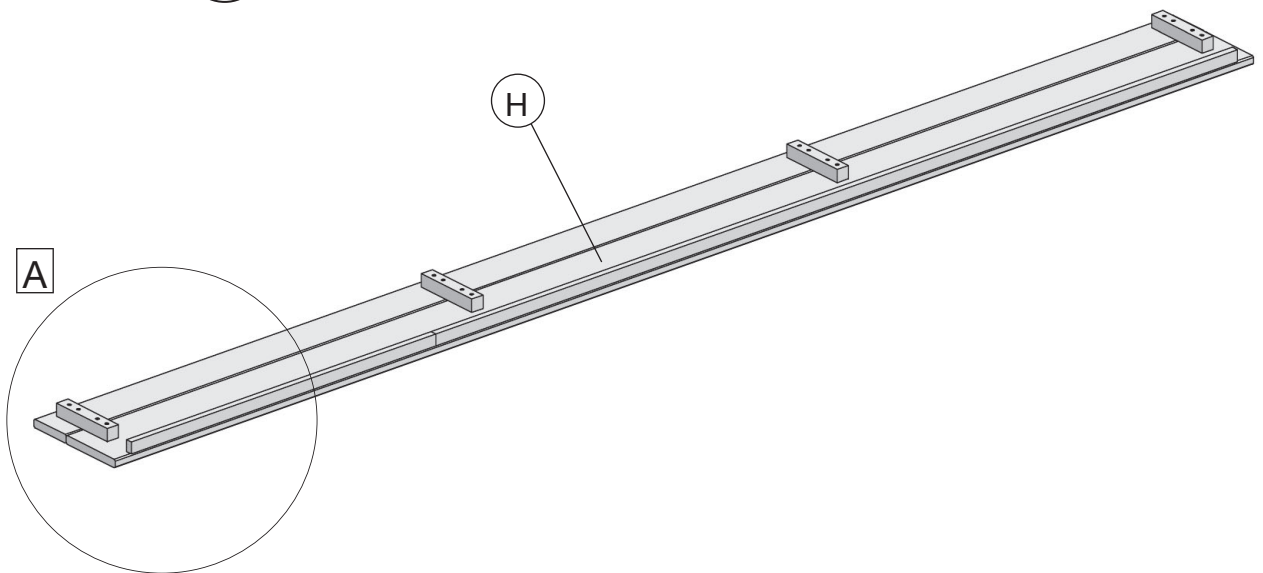


10

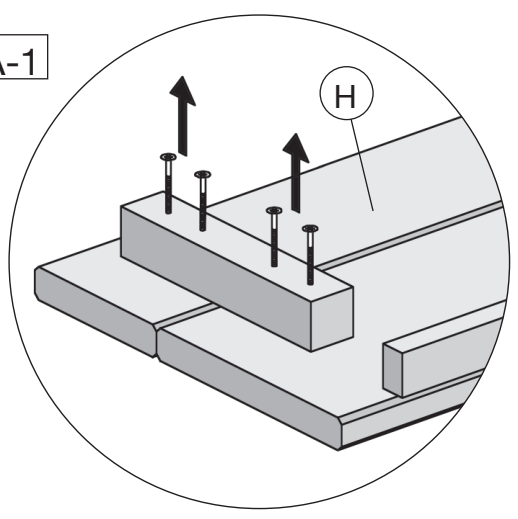
|   |             |
|---|-------------|
|  | M6 3,0 x 30 |
|   |             |



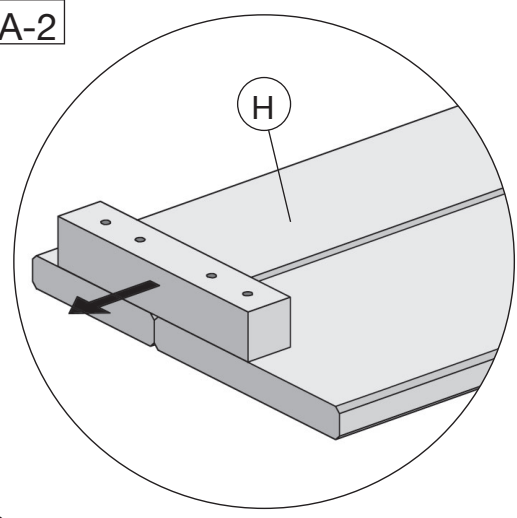
FB (H)



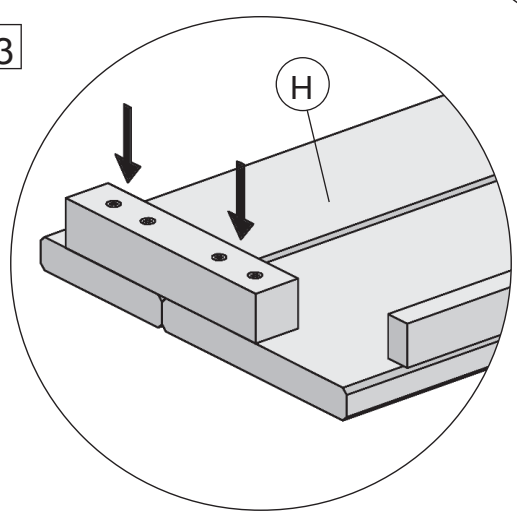
A-1



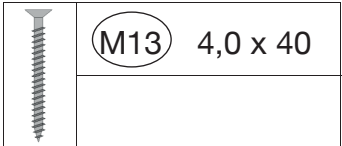
A-2



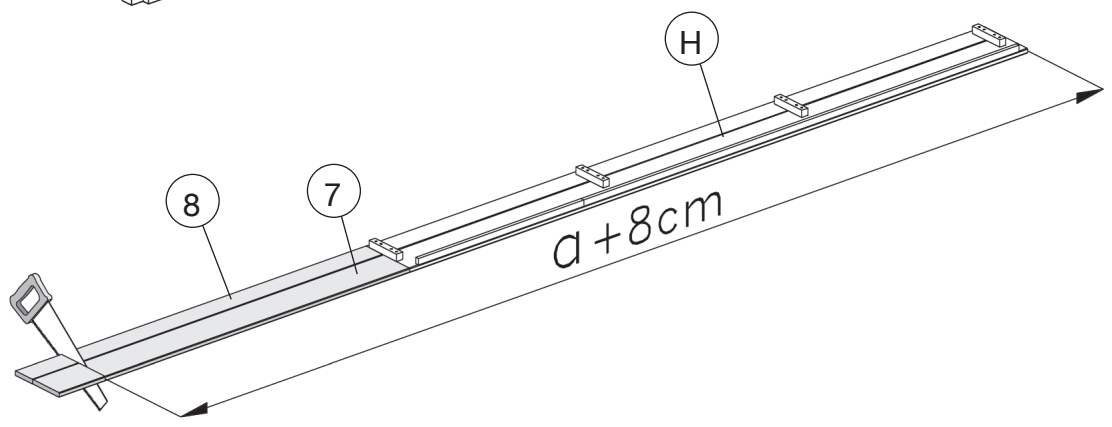
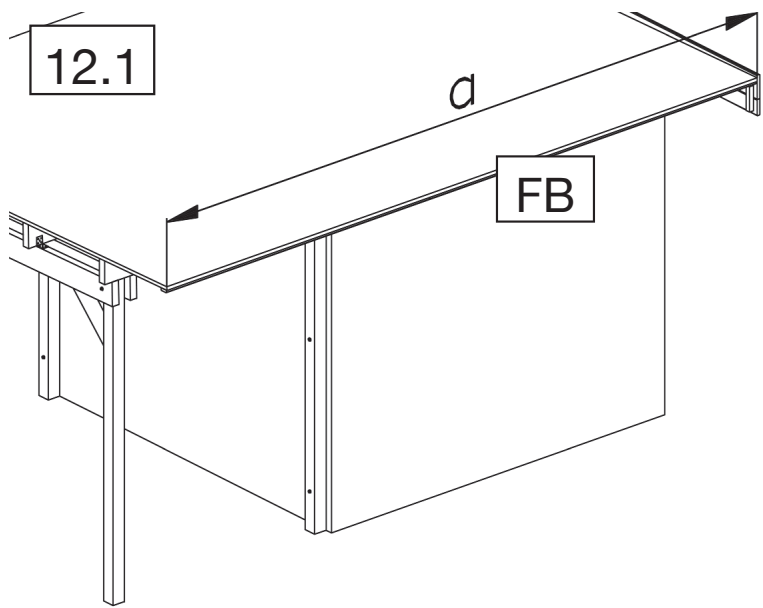
A-3



12

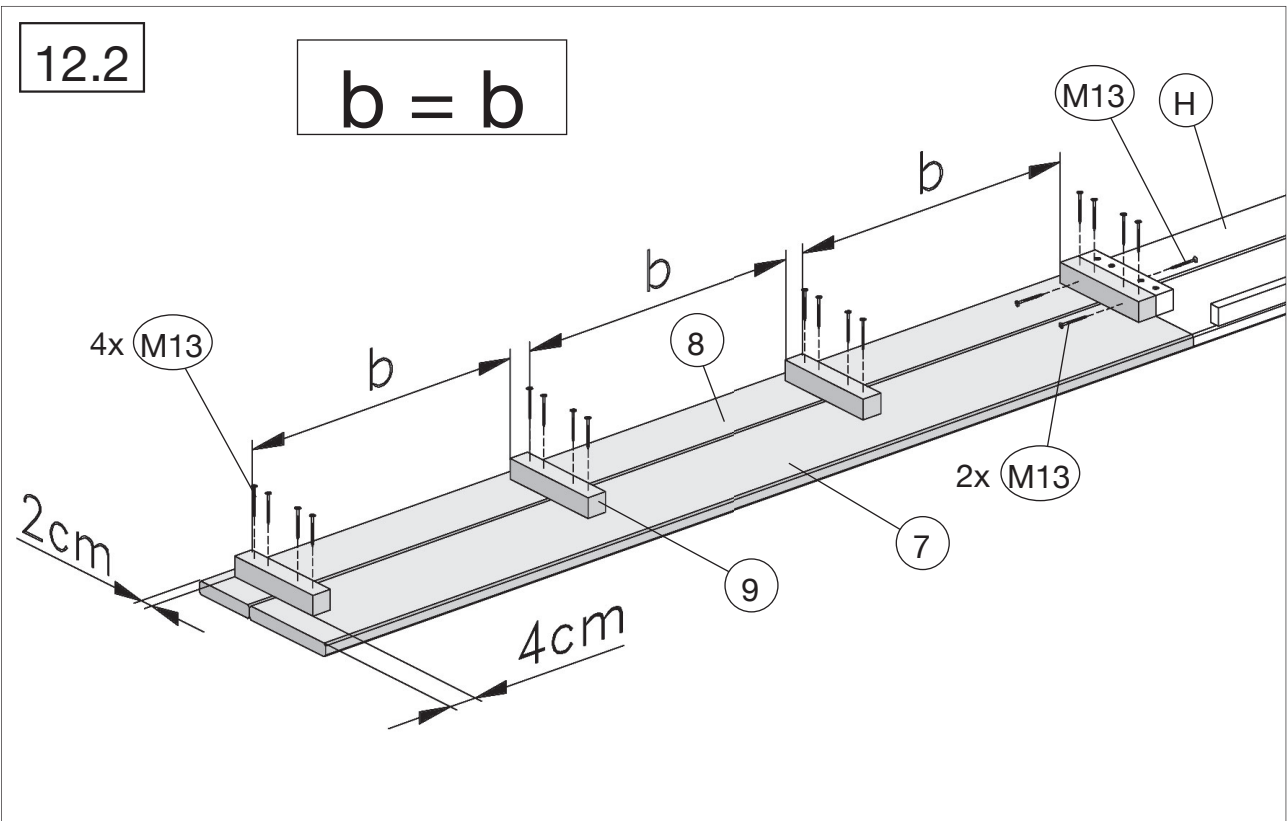


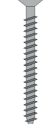
12.1



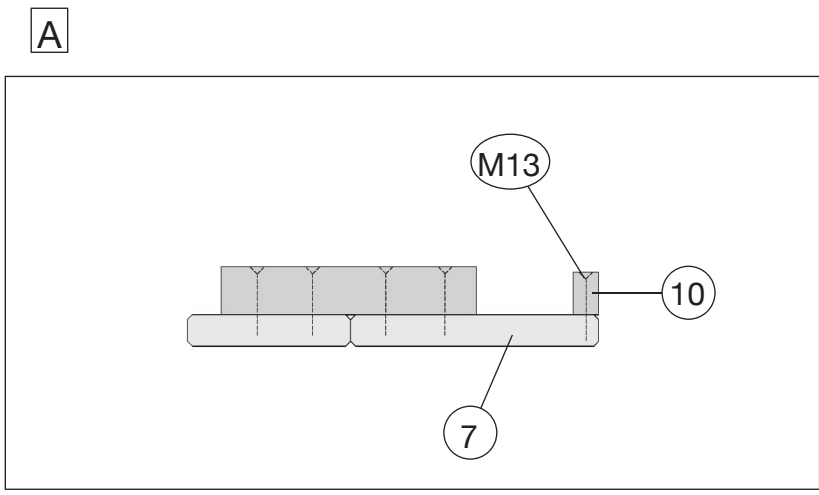
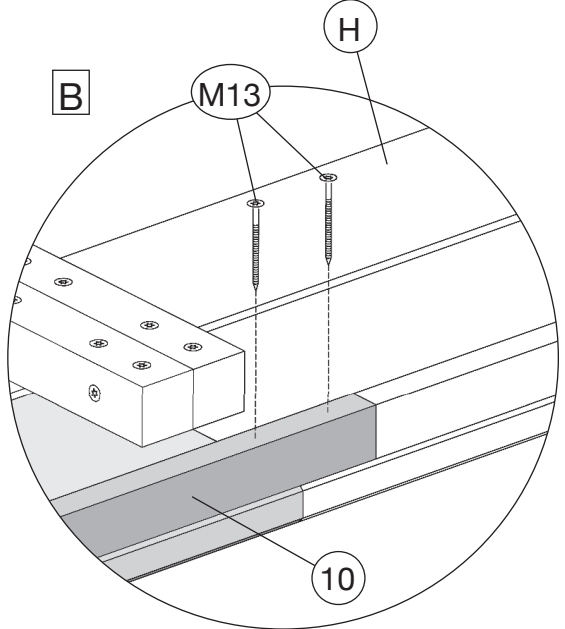
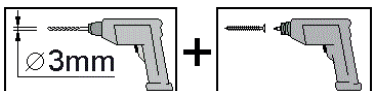
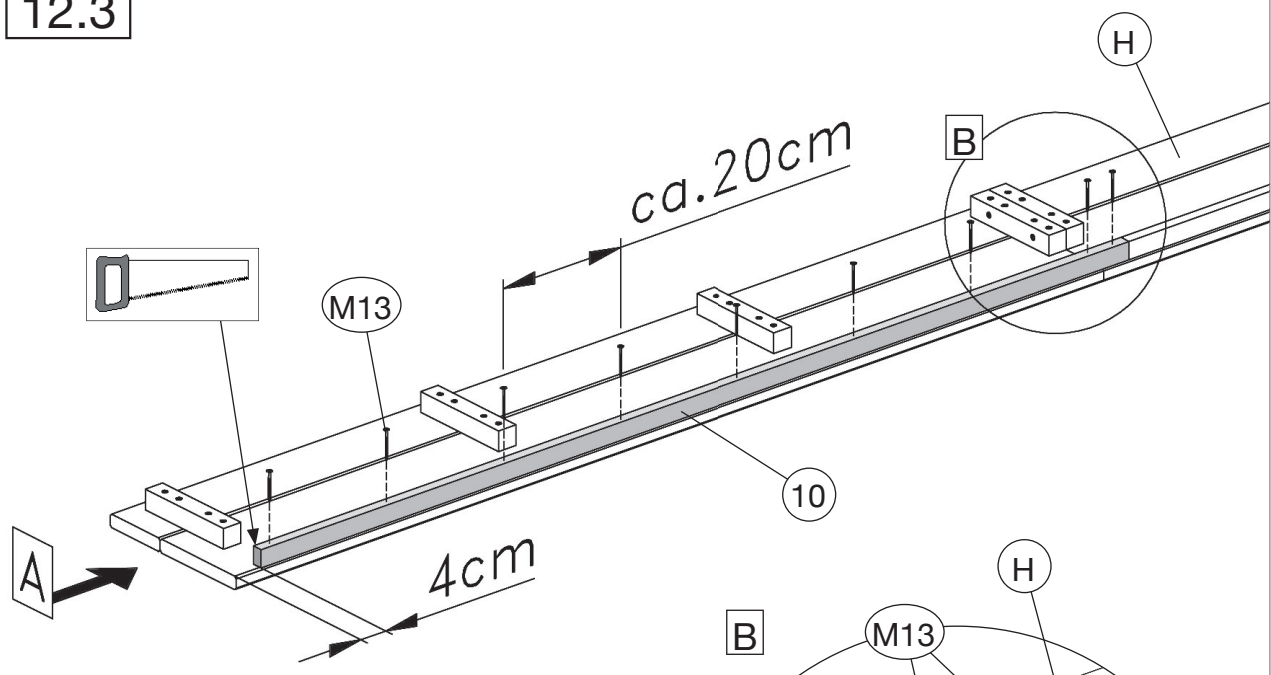
12.2

$b = b$



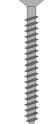
|   |                     |
|---|---------------------|
|  | <b>M13</b> 4,0 x 40 |
|---|---------------------|

12.3

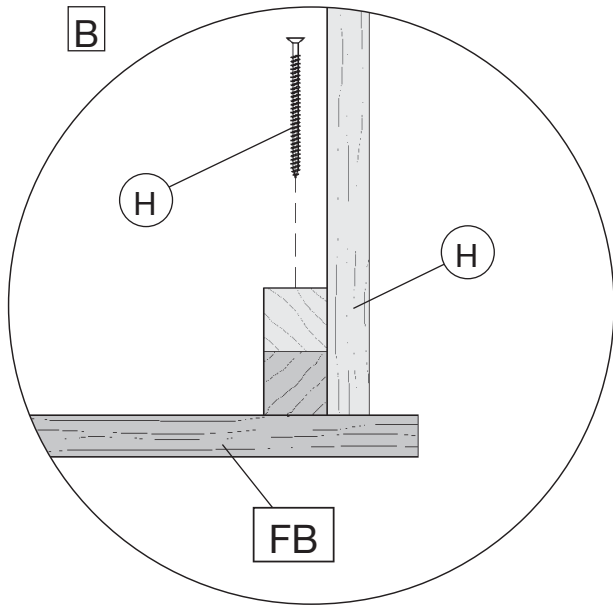
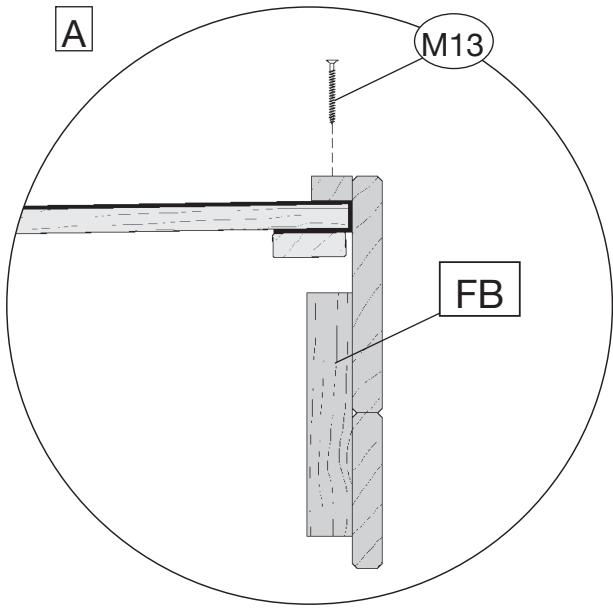
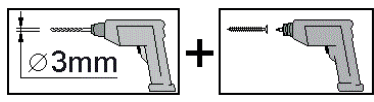
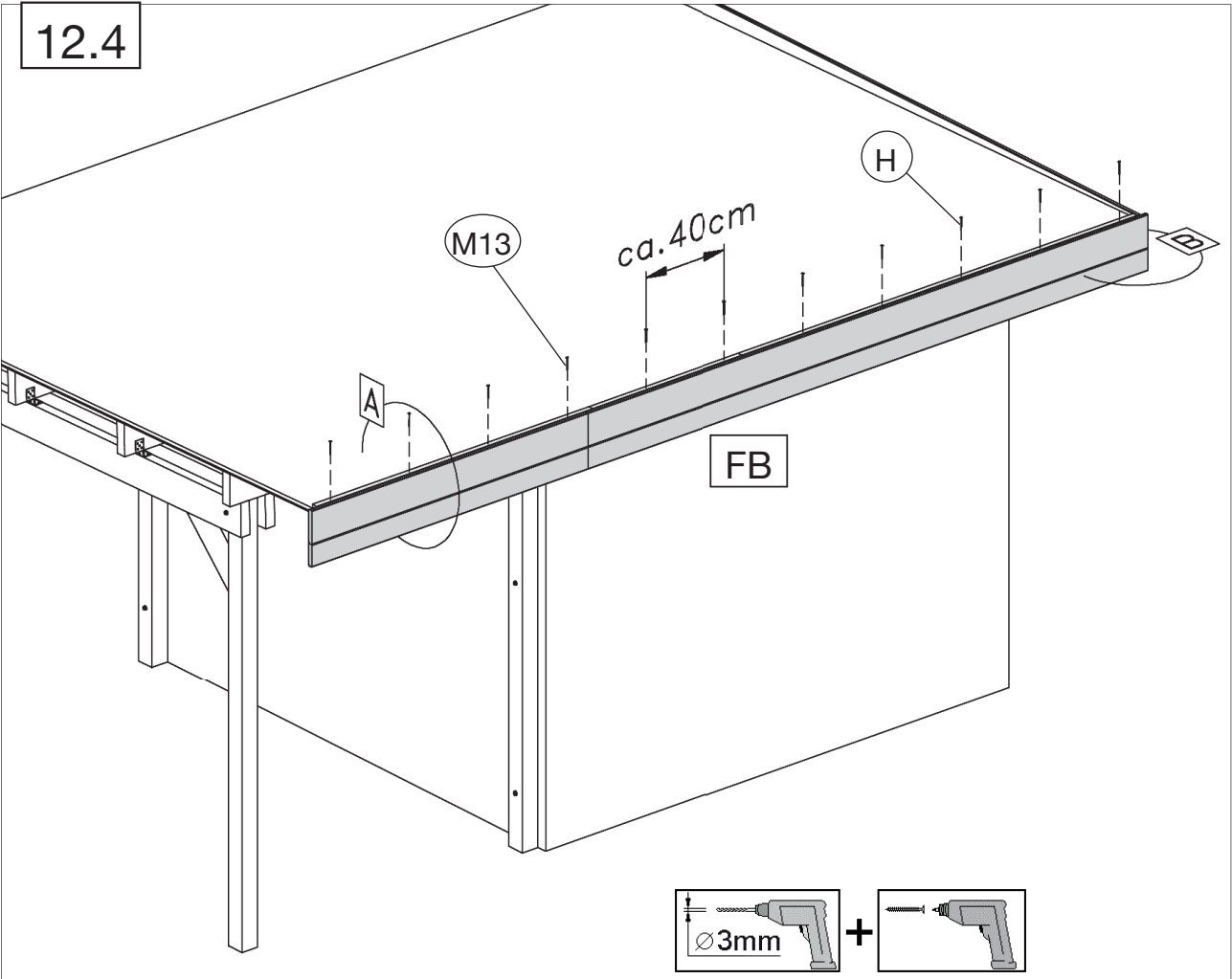




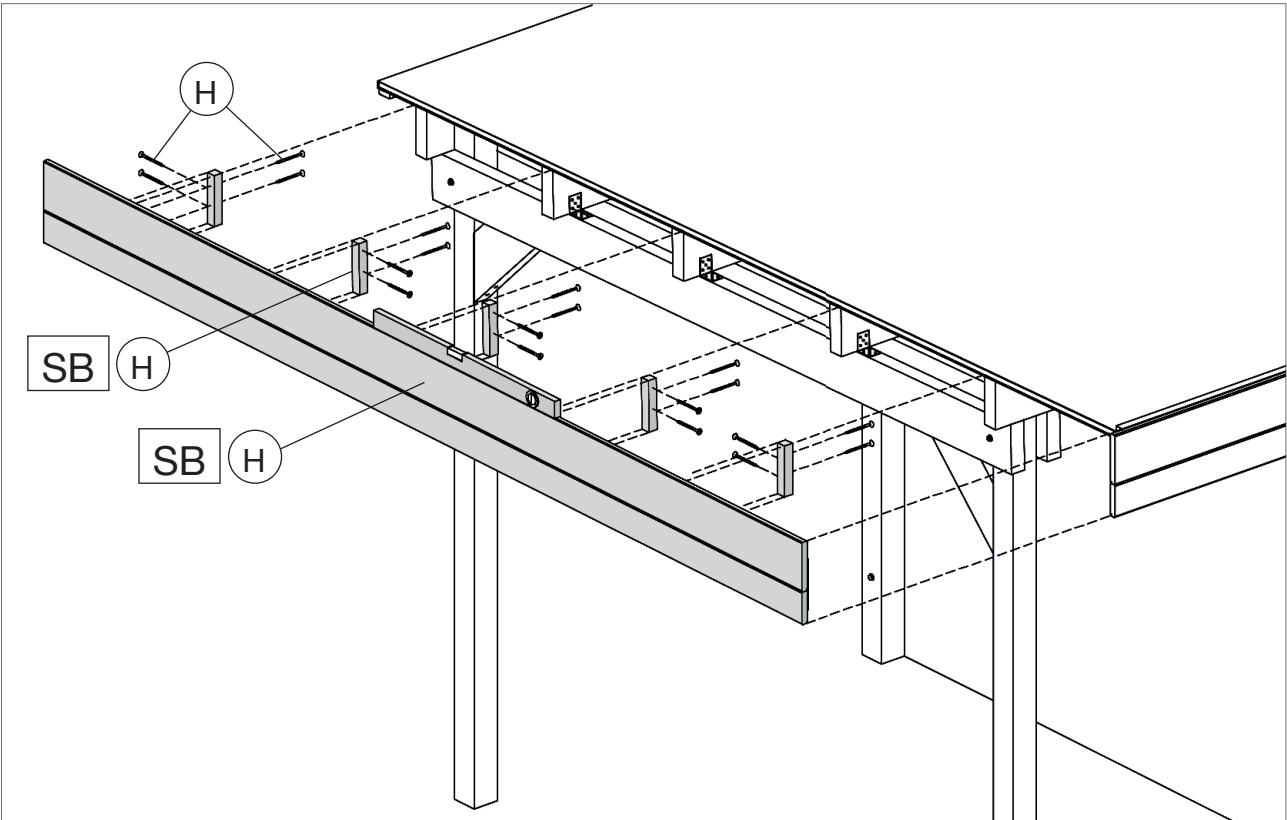
12

|   |              |
|---|--------------|
|  | M13 4,0 x 40 |
|---|--------------|

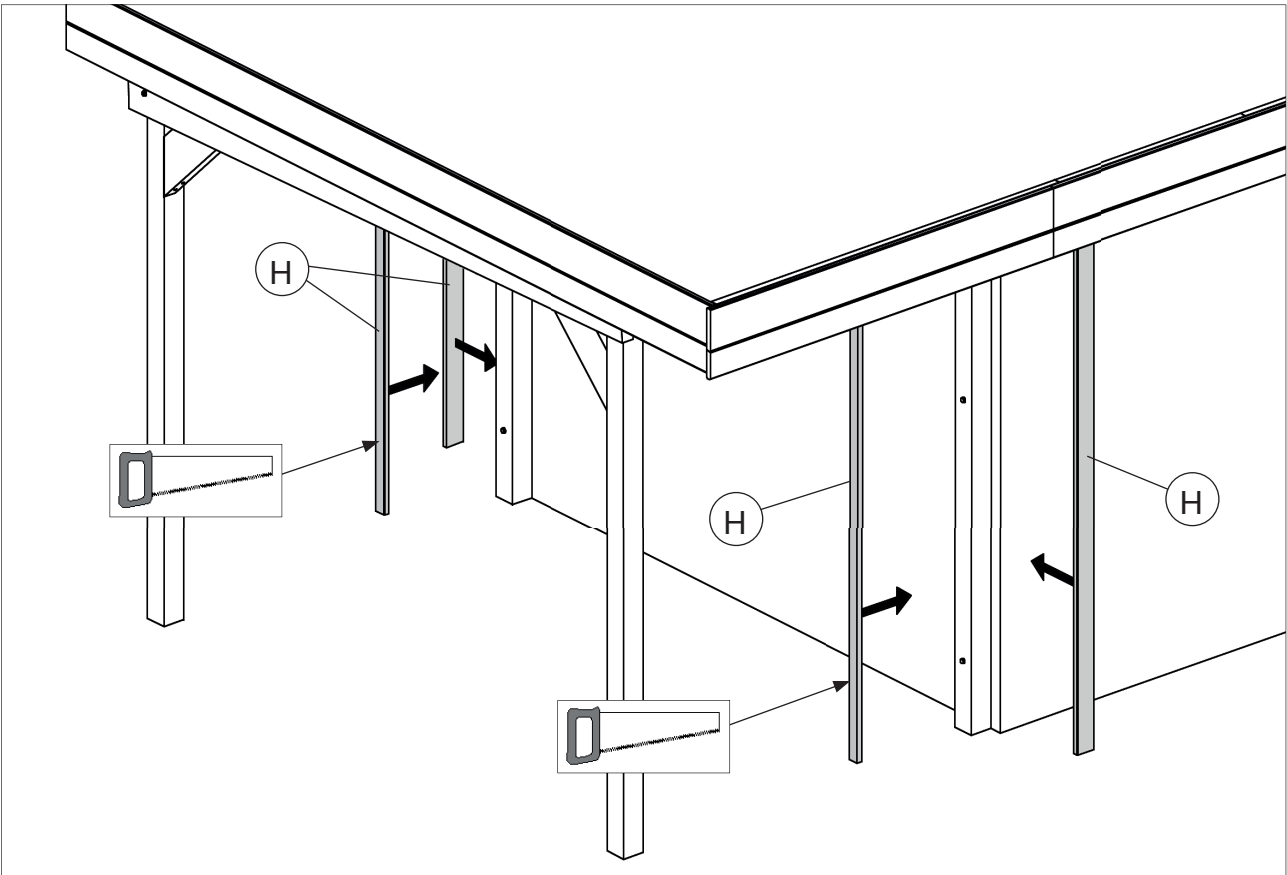
12.4



13



14





[www.weka-holzbau.com](http://www.weka-holzbau.com)



**weka**

## **WEKA Holzbau GmbH**

Johannesstr. 16, 17034 Neubrandenburg

Tel.: +49 (0)395 42908-0

Fax: +49 (0)395 42908-83

Mail: [info@weka-holzbau.com](mailto:info@weka-holzbau.com)

Web: [www.weka-holzbau.com](http://www.weka-holzbau.com)

MA Art.-Nr.: 800.0286.17.57