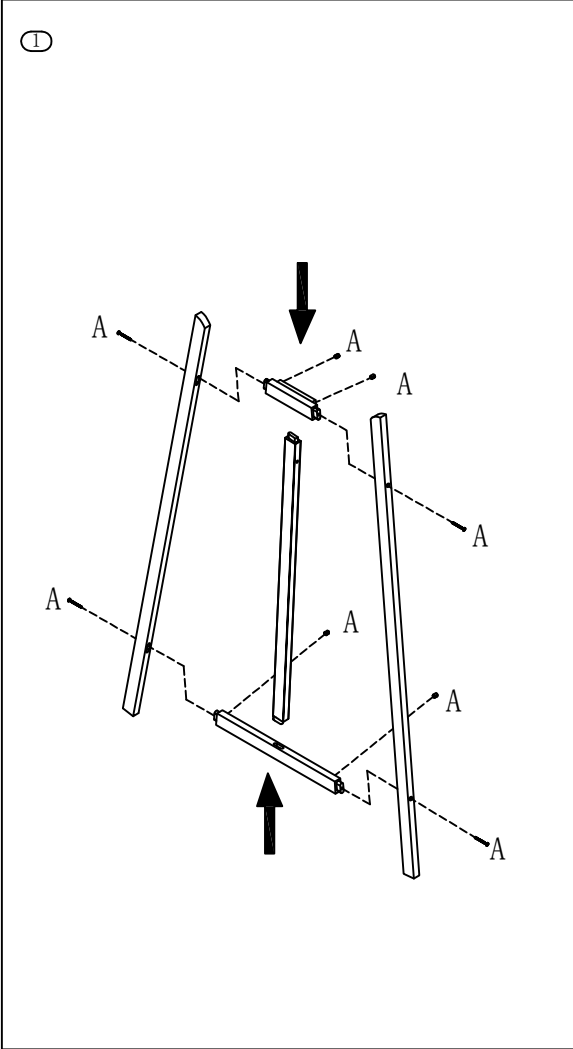
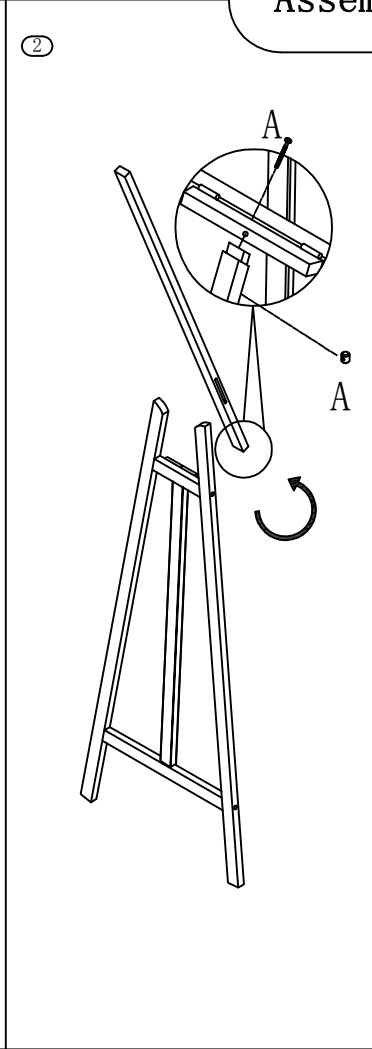


Assembling Instruction

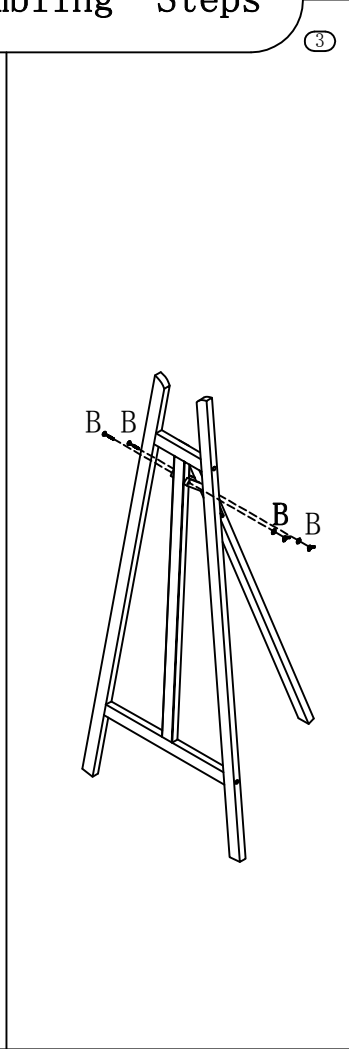
Assembling Steps



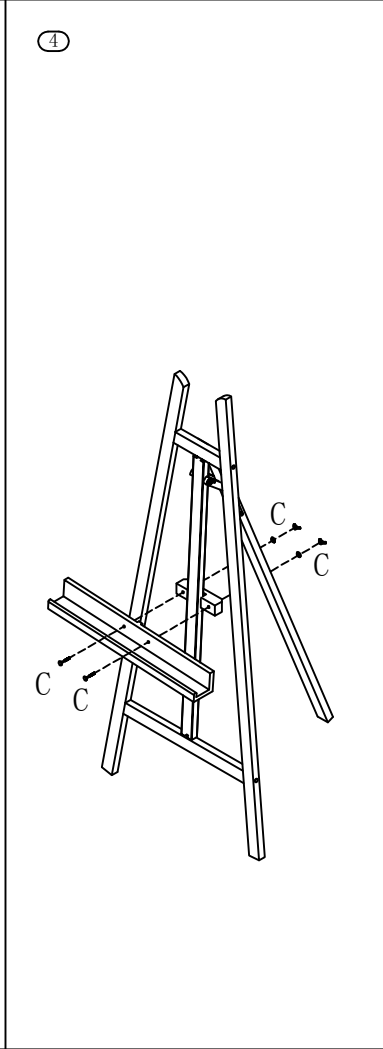

A*4




A*1




B*2




C*2

